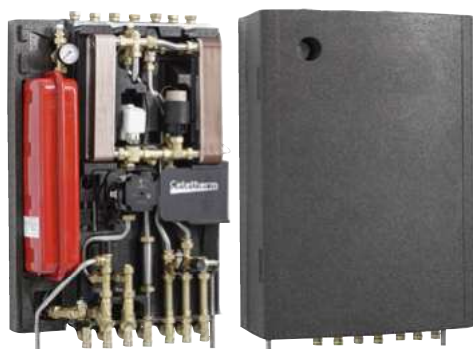




## Cetetherm Mini ECO



Cetetherm Mini ECO supplies hot water to both the tap water & the space heating circuit with modulating supply temperature. The space heating supply can be connected to **radiators or floor heating**. On the primary side the unit has an **indirect connection**: one heat exchanger for the space heating circuit and one heat exchanger to produce tap water. Suitable for **multi-family houses up to 4 apartments**. The unit is available with or without an **individual heat meter**.

### APPLICATION



Multi-family house

### SUPPLIES



Tap water



Radiators



Floor heating

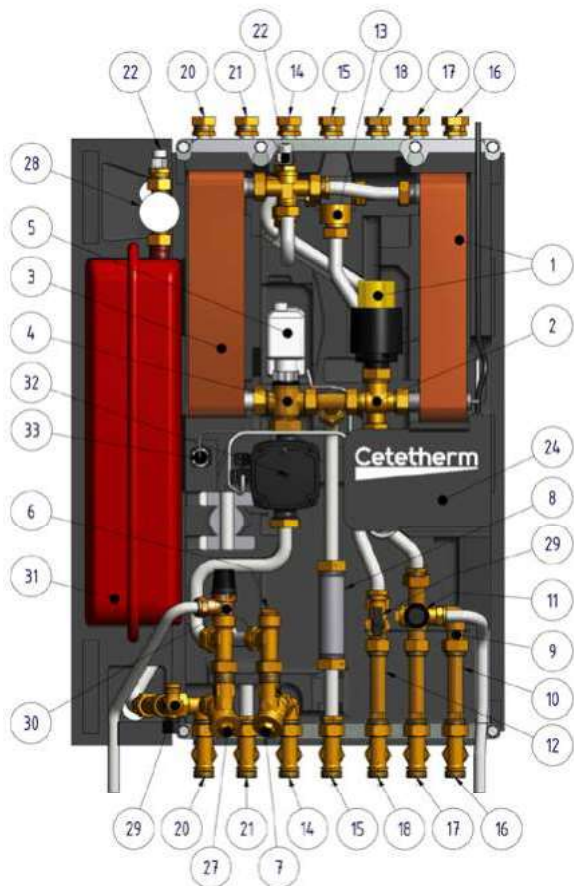
Operating limits	Design temperature	Design pressure
Primary heating	120°C	16 bar
Secondary heating	90°C	10 bar
Domestic hot water (DHW)	90°C	10 bar

Model Mini ECO	Control equipment	Connections (flow meters)	W (mm)	D (mm)	H (mm)	Weight (kg)	Article no.	Public Price €	Recommended set of valves
F2-H2T2-GE7-E-737-O-9-STL-2,5-B0,63-2x110-1x130	Honeywell	2x110x3/4"+ 1 x130 x 1"	540	230	835	32	<b>738963</b>	<b>4068</b>	AM1137
F2-H2T2-GE7-E-R-O-9-STL-2,5-V1,0-2x110-1x130	Honeywell	2x110x3/4"+ 1 x130 x 1"	540	230	835	32	<b>738964</b>	<b>4015</b>	AM1137
F3-H2T2-GE7-E-737-O-9-2,5-B0,63-2x110-1x130	Honeywell	2x110x3/4"+ 1 x130 x 1"	540	230	835	32	<b>738965</b>	<b>3892</b>	AM1137
F4-H2T2-GE7-E-R-O-2,5-V0,63-1x110-1x110	Honeywell	1x110x3/4"+ 1x110x3/4"	540	230	835	32	<b>738966</b>	<b>3824</b>	AM1136
F5-H2T2-GE7-E-R-O-2,5-V1,0-DP-2x110-1x130	Honeywell	2x110x3/4"+ 1 x130 x 1"	540	230	835	32	<b>738967</b>	<b>4033</b>	AM1137
F5-H2T2-GE7-E-R-O-2,5-V1,0-PPV-DP-2x110-1x130	Honeywell	2x110x3/4"+ 1 x130 x 1"	540	230	835	32	<b>738968</b>	<b>4039</b>	AM1137
F3-H2T2-GE7-E-737-O-9-2,5-V0,63-2x110-1x130	Honeywell	2x110x3/4"+ 1 x130 x 1"	540	230	835	32	<b>739033</b>	<b>3892</b>	AM1137
F5-H2T2-GE7-E-R-O-9-2,5-V1,0-DP-2x110-1x130	Honeywell	2x110x3/4"+ 1 x130 x 1"	540	230	835	32	<b>739093</b>	<b>4208</b>	AM1137
F2-H2T2-GE7-E-R-O-9-STL-2,5-B0,63-2x110-1x130	Honeywell	2x110x3/4"+ 1 x130 x 1"	540	230	835	32	<b>739118</b>	<b>4152</b>	AM1137
F3-H2T2-GE7-E-R-O-9-2,5-B0,63-2x110-1x130	Honeywell	2x110x3/4"+ 1 x130 x 1"	540	230	835	32	<b>739119</b>	<b>3977</b>	AM1137
F3-H2T2-GE7-E-R-O-9-2,5-V0,63-2x110-1x130	Honeywell	2x110x3/4"+ 1 x130 x 1"	540	230	835	32	<b>739120</b>	<b>3839</b>	AM1137

Options for Cetetherm Mini ECO	Article no.	Public Price €
Set of 6 Shut-off valves	<b>AM1136</b>	<b>158</b>
Set of 7 Shut-off valves	<b>AM1137</b>	<b>175</b>
Flushing-by-pass kit	<b>AM1140</b>	<b>152</b>
Underfloor heating thermostat	<b>AM1141</b>	<b>231</b>
Adapter energy meter 3/4"-1"	<b>732545</b>	<b>46</b>

### KEY BENEFITS

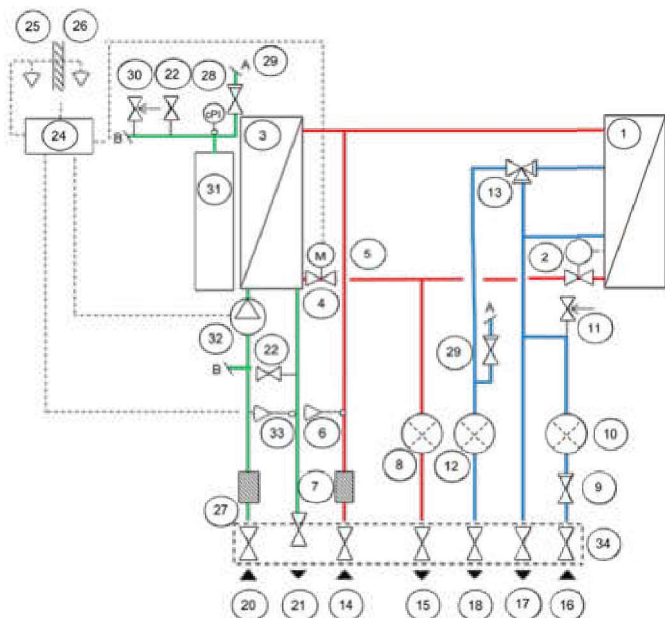
- ⊕ Always sufficient, stable and hygienic domestic hot water supply
- ⊕ Space-saving design - extremely thin means low weight and quick installation
- ⊕ Individual metering of tap water consumption and use of energy
- ⊕ Best solution for saving water and energy
- ⊕ Offers the lowest return temperature on the market



## COMPONENTS

1. Heat exchanger and temperature controller for hot water
2. Control valve for hot water
3. Heat exchanger for heating
4. Control valve, heating circuit
5. Actuator, heating circuit
6. Temperature sensor connection, heating media supply
7. Filter for heating media
8. Adapter for energy meter
9. Check valve for cold water
10. Adapter for Cold water flow meter
11. Safety valve for domestic hot water
12. Adapter for Hot water flow meter
13. Safety temperature limiter hot water
14. Heating network media, supply
15. Heating network media, return
16. Cold water (cw)
17. Cold water outlet (cw)
18. Hot water (hw)
20. Heating circuit, return
21. Heating circuit, supply
22. Drain valve
24. Connection box for electric power and sensors, heating circuit
25. Room thermostat/control panel
26. Outdoor temperature sensor (option)
27. Filter heating circuit
28. Pressure gauge for heating circuit
29. Filling loop
30. Safety valve for heating circuit
31. Expansion vessel heating circuit
32. Circulation pump, heating circuit
33. Supply temperature sensor, heating circuit

## DIAGRAMMATIC FLOW CHART FOR MINI ECO



## AN EASILY MANAGEABLE, ECONOMICAL AND DURABLE SOURCE OF HEAT

The Mini ECO uses the heating network/ the hot district heating medium for heating the domestic hot water (providing an uninterrupted supply) as well as the water in the central heating system.

The Mini ECO is a wall-mounted unit and is very compact and discreet. To minimize transmission of operational sounds, we recommend installing it on well insulated walls or on walls of concrete.

Mini ECO requires no attendance or maintenance and has a very long operational life. In the event of requiring service or component exchange at some future date, all parts are easily accessible and individually replaceable.

### OPERATING DATA

	Heating medium	Heating circuit	Hot water circuit
Design pressure, MPa	1.6	1.0	1.0
Design temperature, °C	120	90	90
Opening pressure, safety valve, MPa	-	0.25	0.9
Volume, l	0.38/0.45	0.46	0.48

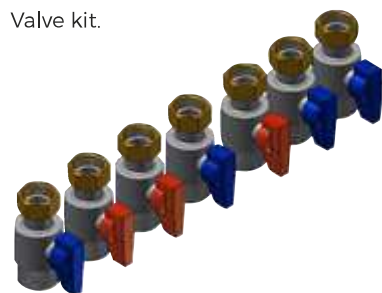
### PERFORMANCE AT DIFFERENTIAL PRESSURE MIN 50 KPA AND MAX 600\* KPA

Designed temperature programme (°C)	Capacity (kW)	Primary flow (l/s)	Actual return temp. (°C)	Secondary flow (l/s)
<b>Hot water circuit</b>				
80-25/10-60	69	0.29	23	0.33
80-25/10-55	75	0.30	21	0.40
65-25/10-50	67	0.38	23	0.40
65-22/10-50	50	0.27	20	0.30
60-25/10-50	50	0.233	24	0.30
<b>Heating circuit</b>				
100-63/60-80	24	0.15	63	0.29
100-43/40-60	27	0.11	42	0.32
100-33/30-35	6.5	0.02	30	0.31
85-47/45-60	19	0.12	47	0.30
80-63/60-70	13	0.17	62	0.31

\* Depending on option

### OPTION

Valve kit.



### OTHER INFORMATION

Electrical data: 230 V, 1-phase, 50 W
Dimensions (cover inc.): 560 mm width x 240 mm depth, 850 mm height
Dimensions (without cover): 560 mm width x 220 mm depth, 850 mm height
Weight: 26 kg
Transport particulars: Total weight 32 kg, 0.2 m <sup>3</sup>
Noise: <55 dB

Single zone thermostat and Gateway for remote monitoring and control.





## Cetetherm Mini ECO

### HEATING ONLY



Cetetherm Mini ECO / **Heating only** supplies hot water to the space heating circuit only. The space heating supply can be connected to **radiators or floor heating**. On the primary side the unit has an indirect connection: one heat exchanger between the district heating network and the space heating circuit. Suitable for **multi-family houses up to 4 apartments**.

#### APPLICATION



Multi-family house

#### SUPPLIES



Radiators



Floor heating

Operating limits	Design temperature	Design pressure
Primary heating	120°C	16 bar
Secondary heating	90°C	10bar

Model Mini ECO / Heating only	Control equipment	Connections (flow meters)	W (mm)	D (mm)	H (mm)	Weight (kg)	Article no.	Public Price €	Recommended set of valves
FI-H2-GE7-E-R-O-V1.0-1x130	Honeywell	1x130x1"	540	230	835	29	738962	3413	AM1134

Options for Cetetherm Mini ECO / Heating only	Article no.	Public Price €
Set of 4 Shut-off valves	AM1134	130
Flushing-by-pass kit	AM1140	152
Underfloor heating thermostat	AM1141	231
Adapter energy meter 3/4"-1"	732545	46